

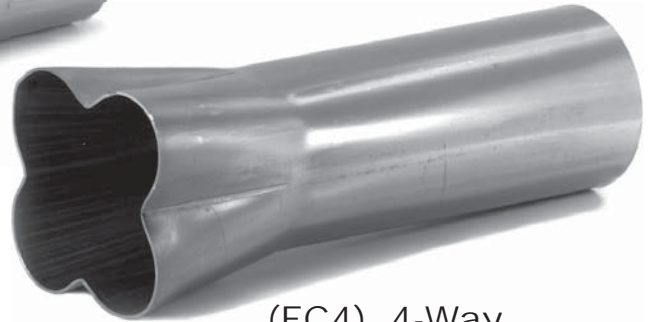
Formed Collectors



(FC2) 2-Way



(FC3) 3-Way



(FC4) 4-Way

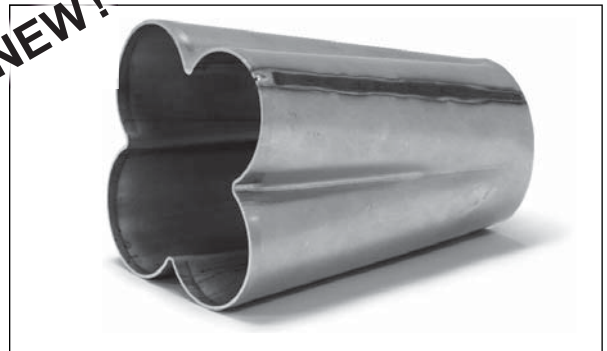


(SFC) Slip-on Formed Collector
Swedged to fit advertised tube size.

SPD Slip-on formed collectors utilize swedged slips (shown above) to provide a positive stop and seat for your primary tubes to seal against.

Formed collectors are an economical way to collect header primary tubes together. This weld-on style is the most common of all header collectors still used today.

NEW!


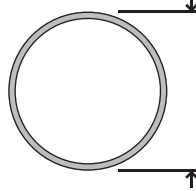
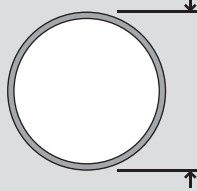
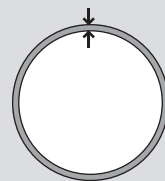




Rolled Cone Formed Collector
(example: FC4213-30016C)

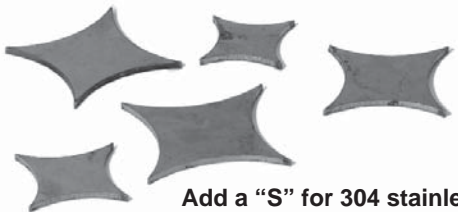
These collectors are formed from rolled and seam welded sheet metal. This process allows for smaller outlet sizes than are possible using tubing.


(Available in Mild & Stainless Steel)
(See listings page on page 13)

FC4200-350 S16 C

Style	# of Tubes	Inlet Tube O.D.	Outlet Size	Material Type	Gauge	Rolled Cone
FC				For mild steel Leave blank		Add "C" for Rolled Cone Type Collector
SFC	 			For stainless steel Use "S" Check availability	16ga. (.065") 18ga. (.049")	

Formed Collectors

Formed Collector Stars	
 <p>Add a "S" for 304 stainless</p>	
Inlet Tube Size	4-WAY
1.500"	FCS150
1.625"	FCS163
1.750"	FCS175
1.875"	FCS188
2.000"	FCS200
2.125"	FCS213
2.225"	FCS225
2.375"	FCS238
2.500"	FCS250
2.625"	FCS263

Slip-On Formed Collector Stars	
 <p>NEW!</p> <p>Add a "S" for 304 stainless</p> <p><i>Designed for primary tubes with added centerline spacing, such as, Weld-On Merge and Slip-On Formed Collector.</i></p>	
Inlet Tube Size	4-WAY
1.500"	SFCS150
1.625"	SFCS163
1.750"	SFCS175
1.875"	SFCS188
2.000"	SFCS200
2.125"	SFCS213
2.225"	SFCS225
2.375"	SFCS238
2.500"	SFCS250

Inlet Size	2-WAY	3-WAY	4-WAY
1.25"	FC2125-150		FC4125-15018C*
			FC4125-200
			FC4125-225
1.375"	FC2138-163		FC4138-17518C*
1.50"	FC2150-175	FC3150-225	FC4150-20016C*
		FC3150-250*	FC4150-250
		FC3150-300*	FC4150-300*
1.625"	FC2163-188	FC3163-20016C*	FC4163-18816C*
			FC4163-25016C*
		FC3163-250*	FC4163-250
1.750"	FC2175-200	FC3163-300*	FC4163-300*
		FC3175-20016C*	FC4175-25016C*
1.875"	FC2188-213	FC3175-250*	FC4175-30016C*
		FC3175-300*	FC4175-300
			FC4175-350*
2.00"	FC2200-225		FC4188-25016C*
			FC4188-30016C*
		FC3188-300*	FC4188-300
2.125"	FC2213-250		FC4188-350*
		FC3200-300*	FC4200-30016C*
2.25"	FC2225-275 FC2225-300		FC4200-350
			FC4200-400*
			FC4213-30016C*
2.375"	FC2238-300		FC4213-350
			FC4213-400*
			FC4225-30016C*
2.50"	FC2250-300		FC4225-350
			FC4225-400*
			FC4225-450
2.625"	FC2263-300		FC4225-500
			FC4238-35016C*
			FC4238-400
2.750"	Outlet Sizes 3.00" to 4.00"		FC4238-450
			FC4238-500
			FC4250-35016C*
			FC4250-400
			FC4250-450*
			FC4250-500
			FC4263-40016C*
			FC4263-450
			FC4263-500*

C (At End of P/N) Denotes Formed from Rolled Cone
***** Available in 304 stainless