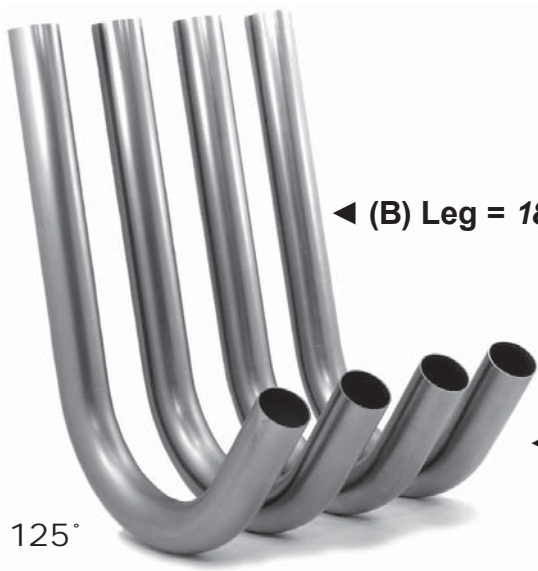


# Zoomie Kits

## TF / TA / Puller Truck



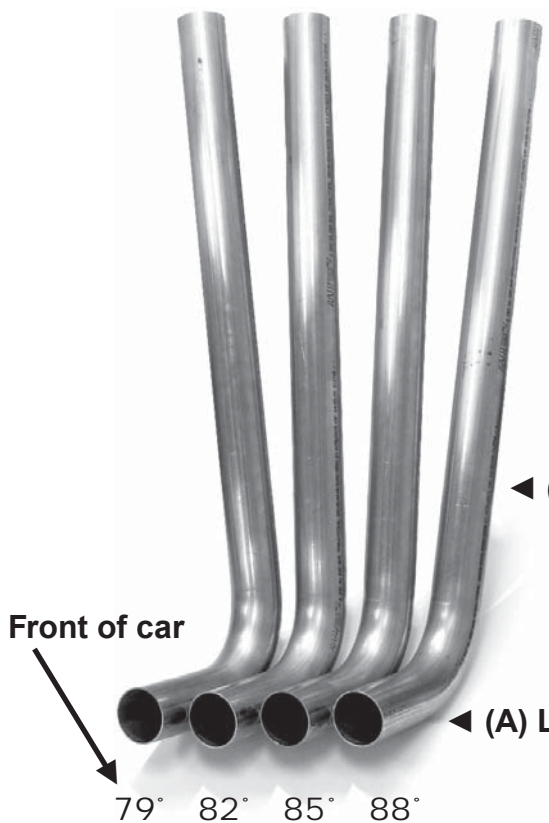
Tube Size OD	Part #	Bend Radius
2.250"	ZKPT6-225	6.0" CLR
2.375"	ZKFC6-238	
2.500"	ZKFC6-250	

Add a "S" for 304 stainless



Kit Includes: (8) 125 degree bends

## Funny Car



Tube Size OD	Part #	Bend Radius
2.000"	ZKFC-200	3.0" CLR
2.125"	ZKFC-213	
2.250"	ZKFC-225	3.5" CLR
2.375"	ZKFC-238	4.0" CLR
2.500"	ZKFC-250	
2.625"	ZKFC-263	

Add a "S" for 304 stainless



Kit Includes: (2) 79 degree bends  
(2) 82 degree bends  
(2) 85 degree bends  
(2) 88 degree bends

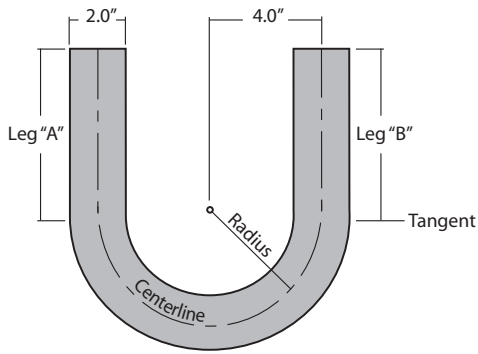
## Cover Tubes

Available for 2.50" Zoomies  
3.00" O.D. x .049 MS or SST

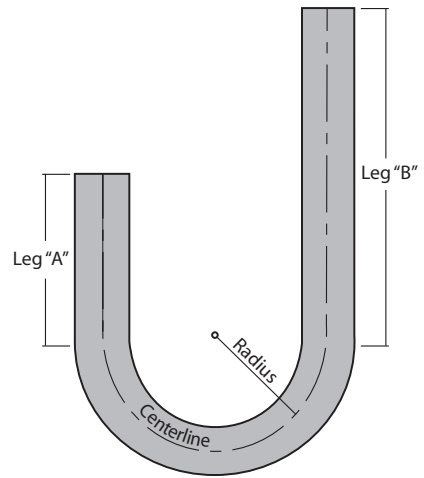


Part Number ZC30018

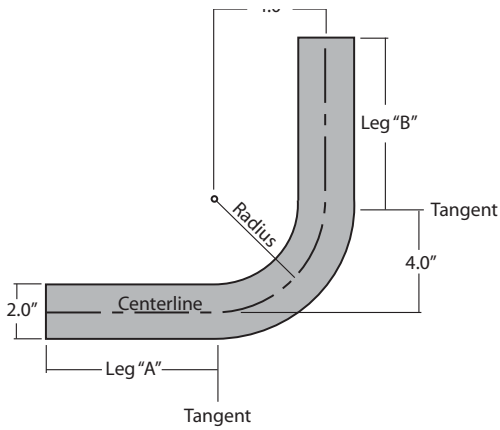
# Mandrel Bends



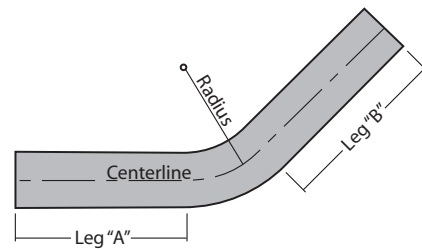
**U bend 180°**



**J bend 180°**



**90° Bend**



**45° Bend**

Tube O.D.		Material Type	
		For stainless steel use -304 or -321  For mild steel leave blank	
2	200	30	- 304 16
<b>Bend Style</b>		<b>Centerline Radius</b>	<b>Gauge Wall Thickness</b>
			16ga. 18ga. 20ga.

# Mandrel Bends

Tube Size (OD)	Center Line Radius	Part # U-bend	Part # J-bend	Part # 90-bend	Part # 45-bend
<b>1.00"</b>	2.00	*****	Call for availability	*****	
	4.00	*****	Call for availability	*****	
<b>1.125"</b>	2.00	*****	Call for availability	*****	
	4.00	*****	Call for availability	*****	
<b>1.25"</b>	2.50	112525	212525	312525	412525
	4.00	*****	Call for availability	*****	
<b>1.375"</b>	2.50	113825	213825	313825	413825
	4.00	*****	Call for availability	*****	
<b>1.50"</b>	2.00	115020	215020	315020	415020
	2.50	115025	215025	315025	415025
	3.00	115030	215030	315030	415030
	4.00	115040	215040	315040	415040
<b>1.625"</b>	2.00	116320	216320	316320	416320
	2.50	116325	216325	316325	416325
	3.00	116330	216330	316330	416330
	4.00	116340	216340	316340	416340
<b>1.75"</b>	2.00	117520	217520	317520	417520
	2.50	117525	217525	317525	417525
	3.00	117530	217530	317530	417530
	4.00	117540	217540	317540	417540
	5.00	117550	217550	317550	417550
	6.00	117560	217560	317560	417560
<b>1.875"</b>	2.00	118820*150	218820*150	318820	418820
	2.50	118825	218825	318825	418825
	3.00	118830	218830	318830	418830
	4.00	118840	218840	318840	418840
	5.00	118850	218850	318850	418850
	6.00	118860	218860	318860	418860
<b>2.00"</b>	2.00	120020*150	220020*150	320020	420020
	2.50	120025	220025	320025	420025
	3.00	120030	220030	320030	420030
	3.50	*****	Call for availability	*****	
	4.00	120040	220040	320040	420040
	5.00	120050	220050	320050	420050
	6.00	120060	220060	320060	420060
	8.00			320080	420080
<b>2.125"</b>	2.50	121325	221325	321325	421325
	3.00	121330	221330	321330	421330
	3.50	121335	221335	321335	421335
	4.00	121340	221340	321340	421340
	5.00	121350	221350	321350	421350
	6.00	121360	221360	321360	421360



**"U" bends**



**45's**

**\*150** Denotes  
Bends are 150 degrees  
P/N's **118820**  
**218820**  
**120020**  
**220020**

**6"** Denotes  
6" leg lengths for;  
**"U" bends, 45's, and 90's**

**6" & 12"** Denotes  
6" & 12" leg lengths for:  
**"J" bends**

**8"** Denotes  
8" leg lengths for;  
**"U" bends, 45's, and 90's**

**8" & 15"** Denotes  
8" & 15" leg lengths for:  
**"J" bends**

# Mandrel Bends



**"J" bends**



**90's**


## Merge Collector Bends



available in:

12° - 15° - 20° - 25°

Example: MCB12200-30416

 Denotes  
Varied leg lengths  
some less than 4.00"

Tube Size (OD)	Center Line Radius	Part # U-bend	Part # J-bend	Part # 90-bend	Part # 45-bend
<b>2.25"</b>	2.25			322522	422522
	2.50	*****	Call for availability		*****
	3.00	122530	222530	322530	422530
	3.50	122535	222535	322535	422535
	4.00	122540	222540	322540	422540
	6.00	122560	222560	322560	422560
<b>2.375"</b>	2.38			323824	423824
	3.00	123830	223830	323830	423830
	3.50	123835	223835	323835	423835
	4.00	123840	223840	323840	423840
	6.00	123860	223860	323860	423860
<b>2.50"</b>	2.50			325025	425025
	3.00	125030	225030	325030	425030
	3.50	*****	Call for availability		*****
	4.00	125040	225040	325040	425040
	5.00	125050	225050	325050	425050
	6.00	125060	225060	325060	425060
<b>2.625"</b>	3.50	*****	Call for availability		*****
	4.00	126340	226340	326340	426340
	6.00	*****	Call for availability		*****
<b>2.75"</b>	2.75			327527	427527
	4.00	127540	227540	327540	427540
	6.00	*****	Call for availability		*****
<b>3.00"</b>	3.00			330030	430030
	3.50	*****	Call for availability		*****
	4.00	130040	230040	330040	430040
	6.00	130060	230060	330060	430060
<b>3.50"</b>	3.50			335035	435035
	4.50			335045	435045
	6.00	135060		335060	435060
<b>4.00"</b>	4.00			340040	440040
	5.50			340055	440055
	8.00	140080		340080	440080
<b>4.50"</b>	4.50			345045	445045
	9.00			345090	445090
<b>5.00"</b>	5.00			350050	450050
	10.00			350010	450010

## Fabrication Supplies (see pages 68-69)

